

V3 ROOM SEALED WARM AIR UNIT HEATERS



Reznor®

THE NAME FOR WARM AIR

V3 ROOM SEALED WARM AIR UNIT HEATERS

Unit Heaters

V3 - The most exciting innovation in gas fired unit heaters for many years. Reznor's extensive research and development has resulted in a technically advanced range of unit heaters that delivers the highest possible standards of energy efficiency and performance.

Incorporating a radical new heat exchanger manufactured from titanium stabilised aluminised steel and advanced burner technology the V3 is compact, lightweight and cost effective. The comprehensive range provides end users, consulting engineers and installation contractors with the optimum unit heater solution whatever the application.

The V3 is particularly suited for difficult to heat areas such as warehouses with high racking.

Energy Saving

- 4-pass heat exchanger achieves over 92% thermal efficiency
- Reduced carbon dioxide and NOx emissions
- Eligible for 100% enhanced capital allowances*
- Improved airflow and new louvre design provide longer air throws and reduced stratification within the building



- Aerodynamic heat exchanger profile reduces noise, allows high airflows for optimum temperature rise through the heater and minimises high roof space temperatures
- Optional air re-circulation thermostat continues to run the fan, after the burner has switched off, until heat in the roof space has been recycled



Extended Operational Life

- The titanium stabilised aluminised steel heat exchanger is particularly strong and durable providing additional temperature resistance. Its weld free construction ensures long life
- Self-aligning burner eliminates possible flame impingement and premature heat exchanger failure
- Single burner eliminates cross lighting problems on ignition

This symbol verifies that the product was independently assessed and qualifies for the ECA scheme, an upfront tax relief enabling businesses that invest in energy saving equipment to claim 100% first year capital allowance against their taxable profits.



Easy Installation and Maintenance

- Reduced weight for quicker installation and simplified support requirements
- Concentric flue terminal provides both flue outlet and combustion air inlet thereby reducing installation time
- Balanced flue units eliminate the need for combustion air grilles in the wall



Application Versatility

- Both horizontal and vertical downflow units are available
- Horizontal models range from 7 to 97kW
- Twelve downflow models 15 to 97kW with standard louvre or optional four way discharge
- Downflow units are ideal for warehouse applications
- Horizontal models may be suspended or base mounted on a suitable non combustible support
- The smallest unit is only 310mm high - making it ideal for mounting in confined areas e.g. underneath mezzanine floors



Downflow unit shown with optional four way discharge

V3 is suitable for a wide range of applications - industrial and commercial premises, retail, sports and leisure, warehouses, logistics and distribution centres.

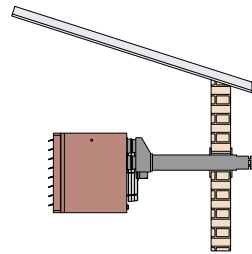


Enhanced Safety

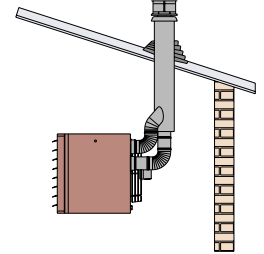
- Room sealed units draw combustion air from outside the building thereby preventing contaminants from entering the combustion zone
- Differential pressure switch shuts off the burner if either the flue or combustion air supply is obstructed
- Dual limit stats monitor the airflow to prevent overheating in the event of the main fan failing or being restricted

Simplified Flueing Arrangements

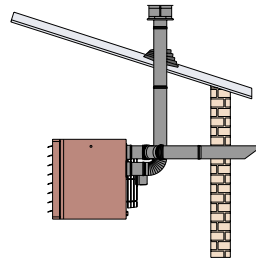
- Units are CE certified as type B (Fan assisted flue) or type C (Balanced flue) appliances
- CE Certification for different balanced flue options for complete installation flexibility



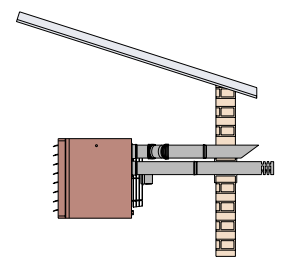
Balanced flue wall outlet (type C12) eliminates roof opening and flashing



Balanced flue roof outlet (type C32)



Combustion air through the wall, flue outlet through the roof (type C52)



Separate combustion air and flue pipes (type C12) for applications where wall thickness exceeds length of balanced flue terminal

Balanced flue terminals may be extended by up to 9 metres of flue plus 9 metres of combustion air pipe (deduct 1.5 metres for each 90° bend).

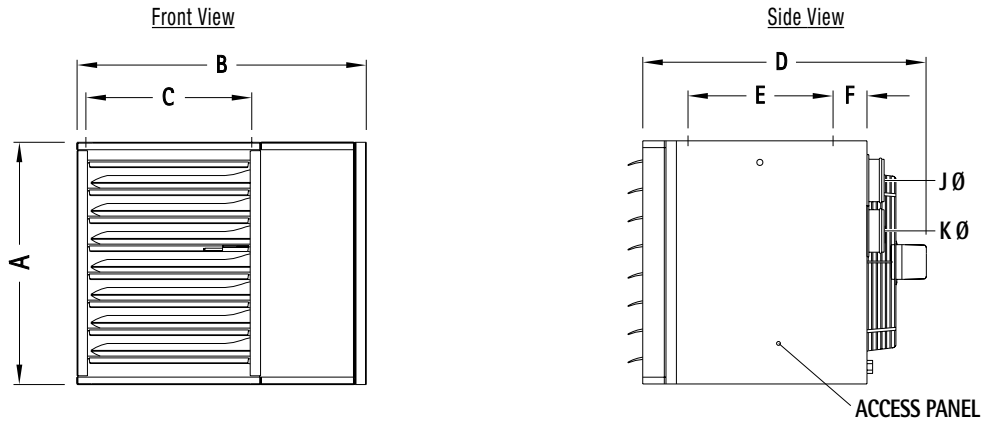
V3 Technical Data

MODEL		UDSA 008	UDSA 011	UDSA 015	UDSA 020	UDSA 025	UDSA 030	UDSA 035	UDSA 043	UDSA 050	UDSA 055	UDSA 064	UDSA 073	UDSA 085	UDSA 100	
Nominal heat output	kW	7	11	15	18	26	29	35	42	49	55	64	73	85	97	
Airflow	m ³ /h	680	1020	1360	1700	2385	2725	3510	4535	5180	5830	6810	7770	9065	10360	
Temperature rise	°C	32	32	32	32	32	32	29	28	28	28	28	28	28	28	
Throw ¹	m	8	10	13	16	20	22	25	28	30	30	33	35	36	39	
Noise level (free field @ 5 metres)	dB (A)	37	36	37	38	40	41	45	47	48	49	50	48	49	49	
Noise level (typical installation @ 5 metres)	dB (A)	47	46	47	48	50	51	55	57	58	59	60	58	59	59	
Gas consumption ²	Nat gas G20	m ³ /h	0.84	1.26	1.68	2.1	2.94	3.36	4.02	4.85	5.59	6.3	7.41	8.39	9.79	11.18
	Propane G31	kg/h	0.62	0.93	1.24	1.55	2.16	2.47	2.96	3.57	4.12	4.64	5.46	6.18	7.21	8.24
Gas connection ³	Rc	1/2	1/2	1/2	1/2	1/2	1/2	3/4	3/4	3/4	3/4	3/4	3/4	3/4	3/4	
Mounting height	Horizontal ⁴	m	2.0-2.25	2.0-2.5	2.0-3.0	2.0-3.0	2.0-3.5	2.0-3.5	2.5-3.5	2.5-3.5	2.5-3.5	2.5-3.5	3.0-4.0	3.0-4.0	3.0-4.0	3.5-4.0
	Vertical ⁵				4-5	4-5	4.5-6	4.5-6	5.5-7	7-9	7.5-10	7-9	8-10.5	7.5-10	8.5-11	9-12
Total electrical rating (230V/50Hz)	kW	0.12	0.12	0.13	0.13	0.27	0.27	0.33	0.49	0.49	0.49	0.68	0.85	0.85	0.85	
Net weight	kg	30	33	38	40	56	60	88	99	99	112	118	143	158	168	

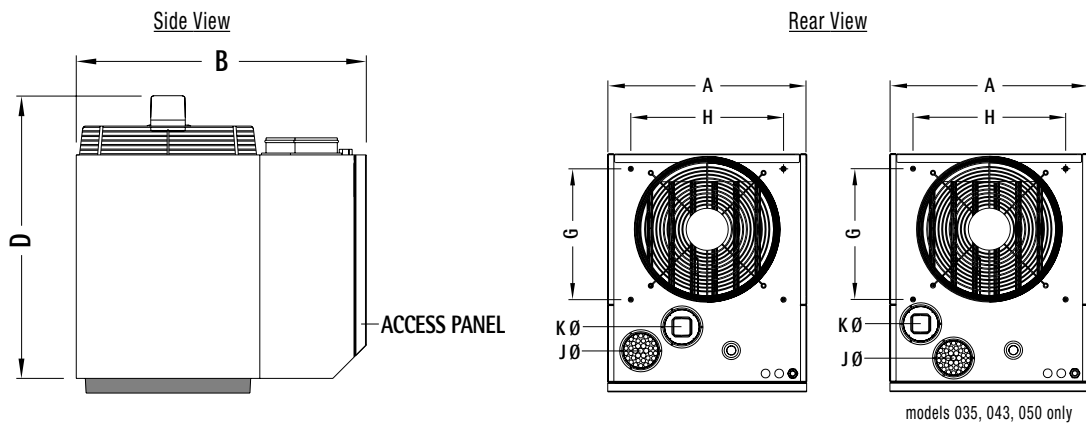
Note: 1. Throw is dependent on mounting height, building height, room temperature and louvre settings. 2. Natural gas G20 Calorific value 10.5 kWh m³ GCV, inlet gas pressure maximum 50mbar, minimum 17.5mbar. Propane G31 Calorific value 14.0 kWh/kg GCV, inlet gas pressure maximum 50mbar, minimum 37mbar. 3. Not supply line size. 4. Recommended height to underside of heater for standard horizontal discharge units. Downturn nozzles are recommended for units installed at higher mounting heights. For modern buildings, air re-circulation fans are recommended in conjunction with the heaters. 5. Mounting height depends on louvre setting. Downflow heaters should be used in conjunction with air re-circulation fans.

DIMENSIONS

V3 Standard Unit



V3 Downflow Unit



MODELS	UDSA 008	UDSA 011	UDSA 015	UDSA 020	UDSA 025	UDSA 030	UDSA 035	UDSA 043	UDSA 050	UDSA 055	UDSA 064	UDSA 073	UDSA 085	UDSA 100
A	307	307	383	383	586	586	510	510	510	663	663	865	865	865
B	700	700	700	700	700	700	971	971	971	971	971	1040	1040	1040
C' Susp Points	404	404	404	404	404	404	601	601	601	601	601	651	651	651
D	696	696	723	723	771	771	1129	1129	1129	1138	1138	1138	1138	1138
E' Susp Points	350	350	350	350	350	350	600	600	600	600	600	600	600	600
F	98	98	98	98	98	98	149	149	149	149	149	149	149	149
G' Susp Points			413		413		623	623	623	623	623	673	673	673
H' Susp Points			250		450		400	400	400	500	500	500	500	500
Air inlet dia J	80	80	80	80	100	100	100	100	100	130	130	130	130	130
Flue outlet dia K	80	80	80	80	100	100	100	100	100	130	130	130	130	130
Top clearance Horizontal Unit	50	50	50	50	50	50	100	100	100	100	100	100	100	100
Top clearance Downflow Unit			80		80		100	100	100	100	100	100	100	100
Rear clearance	450	450	450	450	450	450	450	450	450	450	450	450	450	450
Bottom clearance	50	50	50	50	50	50	100	100	100	100	100	100	100	100
Side clearance	50	50	50	50	50	50	100	100	100	100	100	100	100	100
Access clearance	600	600	600	600	600	600	600	600	600	600	600	600	600	600

Note: 1. Suspension centres. *Clearance required for combustibles - horizontal units may be base mounted on suitable non-combustible supports. All dimensions in mm.

Reznor®

Reznor UK Limited,
Park Farm Road, Park Farm Industrial Estate,
Folkestone, Kent CT19 5DR

Telephone: 01303 259141 Facsimile: 01303 850002
e-mail:sales@reznor.co.uk www.reznor.co.uk

Company Standards and Services:

All Reznor products are tested and approved to CE standards. Reznor UK Ltd. is assessed to BS EN ISO 9002: 1994 Quality Assurance. Reznor offers a design service to its customers; including budget schemes, on site technical support and a comprehensive after-sales service package. Reznor reserves the right to change specifications without prior notice.

