

Elite

Cabinet Heaters

Combat HVAC
LIMITED

ELO and ELG Models 75- 235



Elite Cabinet Heaters



“UNSURPASSED PRODUCT UNRIVALLED SERVICE”



Combat HVAC Limited does not measure the 50 years of manufacturing success on just one element; it is a result of a number of contributing factors.

UNSURPASSED PRODUCT

Our Research and Development Engineers work on continuous improvement programs to provide products that are not only meeting industry standards, but will deliver efficient, economical heating solutions for a wide variety of applications; including Warehouses, Transport Depots, Retail Premises, Aircraft Hangars, Garden Centres and Greenhouses, Auto Body Shops and so much more.....

UNRIVALLED CUSTOMER SERVICE

Combat believe people are our greatest asset. We have a committed, enthusiastic and caring team who are extremely knowledgeable about our products and our customer's needs.

We strive to ensure an Awesome Customer Experience is provided from enquiry, through to delivery, supported by our dedicated members of the Technical, Customer Service and Engineer Teams.

Our people have many years of collective experience in designing and proposing the best Heating Solution, backed up by our unrivalled commitment to Customer satisfaction.

FEATURES



Lockout Indicator



NRG Fitted directly to the Heater



High/Low Burner



Reduced Flue Size 130mm with self-sealing spigot push fit



New Fixings



Electrical Mains Supply (located at the base of the heater)



New sleek distribution head shape

BENEFITS

A pre-mounted NRG and electrical mains supply with a new “plug and play” mains connector contributes to significantly reducing overall installation time.

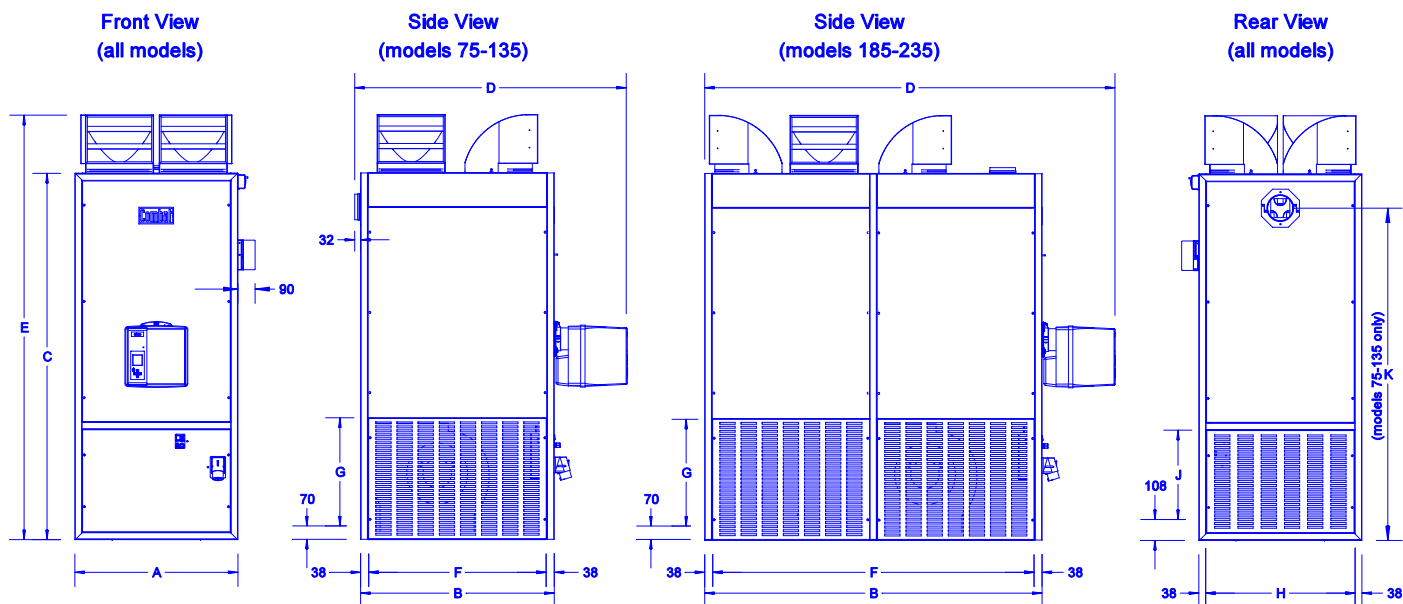
Complies with the ErP (Energy Related Products) Directive and meets seasonal efficiency requirements.

Distribution Heads have been redesigned for an aesthetically sleek appearance, as well as increasing the number of heads to improve the distribution of heat.

Heater fixings have been modified to allow easier access whilst undergoing routine service work.



Dimension Data ELG & ELO



Model	Unit	75	105	135	185	235
'A' Width	mm	723	857	857	1,016	1,016
'B' Depth cabinet only	mm	860	860	1015	1676	1676
'C' Height cabinet only	mm	1,734	1,925	1,925	1,925	1,925
'D' Depth overall	mm	1,370	1,380	1,490	2,255	2,255
'E' Height incl.heads	mm	2,038	2,230	2,230	2,230	2,230
'F' Left/Right hand air inlet spigot - height	mm	781	781	940	1600	1600
'G' Left/Right hand air inlet spigot - Depth	mm	457	457	560	560	560
'H' Rear air inlet spigot - Depth	mm	648	781	781	N/A	N/A
'J' Rear air inlet spigot - height	mm	361	446	446	N/A	N/A
Weight	kg	200	245	270	440	440
Flue Diameter	mm	130	130	130	130	130
Flue Length	m	8	8	8	8	8

Heater Clearances to Combustibles (mm)

To Side of Heater	To Rear of Heater	To Front of Heater	For Air Distribution
600	600	2,000	4,000

**Tecnical Data ELG (Power Gas) and ELO (Pressure Jet Oil) Ranges Natural Gas (G20) & LPG Propane (G31)
Data**

Model	Stage	Unit	75	105	135	185	235
Maximum Heater Input- Gross	High Fire	[kW]	93.0	128.0	162.0	225.0	285.0
	Low Fire		47.0	65.0	81.0	112.0	141.0
Net Heat Input	High Fire	[kW]	83.8	115.3	146.0	202.7	256.8
	Low Fire		42.3	58.6	73.0	100.9	127.0
Maximum Heat Output	High Fire	[kW]	76.7	104.3	133.4	186.5	236.8
	Low Fire		40.5	56.3	70.0	95.9	112.5
Maximum Gas Rate Natural (G20)	High Fire	[m ³ /h]	8.4	11.6	14.3	20.3	25.7
	Low Fire		4.3	5.8	7.2	10.1	12.6
Maximum Gas Rate LPG Propane (G31)	High Fire	[m ³ /h]	3.5	4.8	5.9	8.5	10.6
	Low Fire		1.8	2.4	3.0	4.2	5.2
Inlet Pressure Natural Gas (G20)		[mbar]	20	20	20	20	20
	Minimum 17 mbar Maximum 25 mbar						
Inlet Pressure LPG Propane Gas (G31)		[mbar]	37	37	37	37	37
	Minimum 25 mbar Maximum 45 mbar						
Gas Connection		Inches BSP	3/4				1 1/4

Oil Data [Class D Fuel Oil (Gas Oil)]-[Class C2 Fuel Oil (Kerosene) version available as option

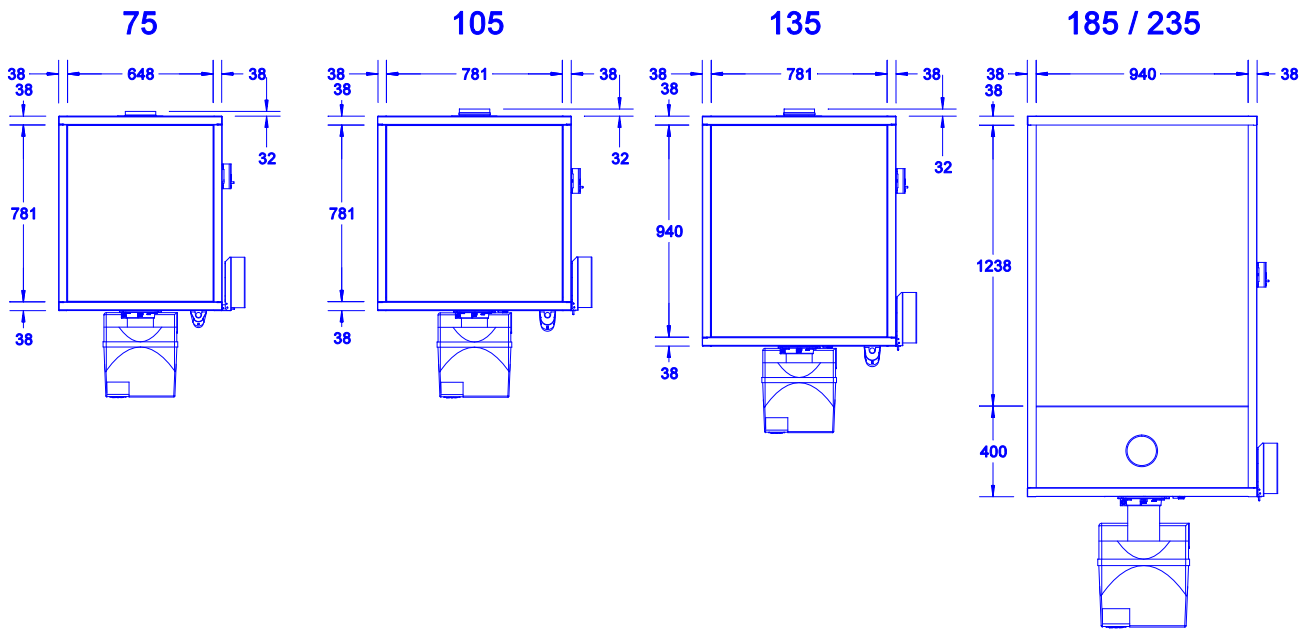
Model	Stage	Unit	75	105	135	185	235
Maximum Heater Input- Gross	High Fire	[kW]	93	130	162	208	242
	Low Fire		65	91	113	146	169
Net Heat Input	High Fire	[kW]	84	117	146	187	218
	Low Fire		59	82	102	131	153
Maximum Heat Output	High Fire	[kW]	77	107	135	172	201
	Low Fire		55	77	94	124	144
Oil Pump Connections			3/8				

General Data

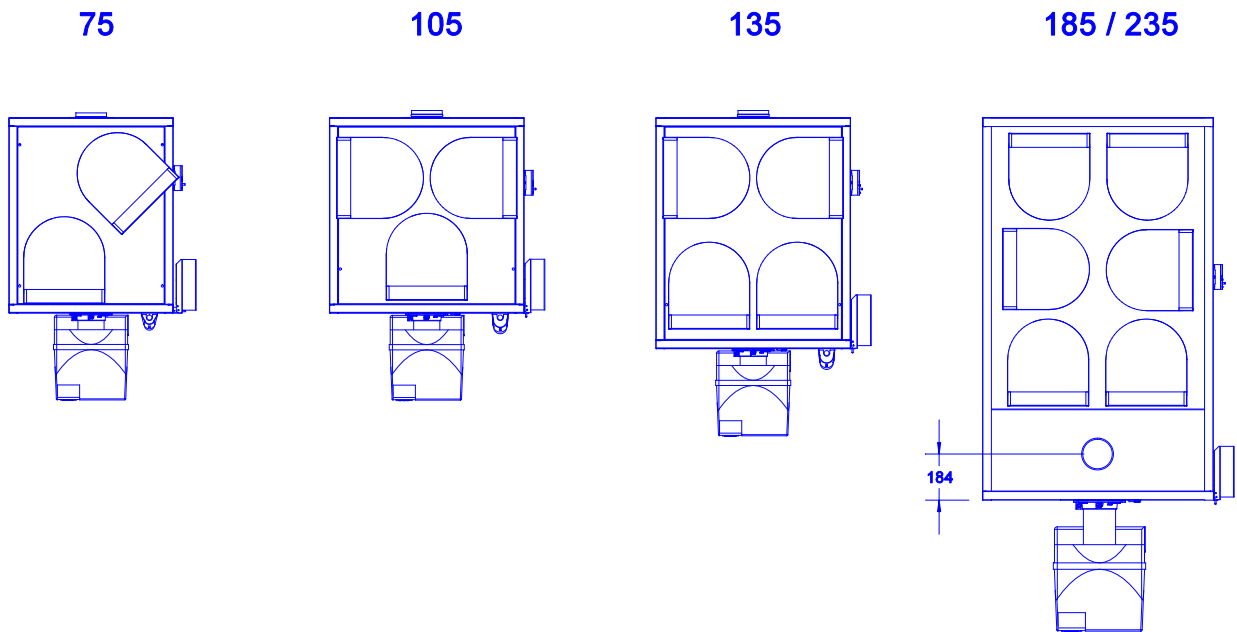
Model	Unit	75	105	135	185	235
Electrical Supply*		230v 50Hz 1 Phase	400v 50Hz 3 Phase			
Main Fan Motor Type		Direct Drive			Belt Drive	
Motor Size	kW	0.75	2.2		1.5	2.2
Start Current	[A]	11.5	9.0	10	10.0	24.0
Run Current	[A]	6.5	5.0	3.7	3.7	5.1
Airflow - Free Blowing	[m ³ /h]	5,200	8,600	8,600	11,200	14,200

Air Outlet and Flue Arrangements

Vertical and Horizontal Heaters - Free Blowing (top view)



Vertical and Horizontal Heaters - Air Outlet Spigots



Outlet Spigot Dimensions

Model	75	105	135	185	235
K - Spigot Width [mm]	648	781	781	940	940
L - Spigot Depth [mm]	819	819	978	1238	1524

Controls

Each heater is supplied with the Combat NRG Control, fitted to the heater and pre-wired.

Burner Options

Combat Elite Cabinet Heaters are fitted with a packaged burner, utilising two stage technology. Gas options Natural Gas (G20) (standard) and LPG G31 (upon request).

Inlet and Outlet Ducts

Where there is a need for the heater to be connected to fresh air or air from an adjacent area for its intake of distribution air, inlet duct connections can be provided.

Note: When employing an inlet duct arrangement, there must be adequate provision for the supply of combustion air. Please contact Combat HVAC Limited for advice. As standard, each heater is supplied with the specified number of discharge heads for warm air distribution. If a heater is to be attached to ducting for warm air distribution, then an outlet duct spigot can be provided. In these instances, advice should be sought to ensure that proposed duct systems are compatible with the heater.

Oil Connection Kit

For all oil fired heaters, an oil line connection kit comprising of a gate valve, spring operated fire valve, oil filter and connecting nipples are supplied for installation on site.

Combat HVAC Limited
Unit 20 Red Mill Trading Estate
Rigby Street, Wednesbury,
West Midlands, WS10 0NP
Tel: 0121 506 7700
Fax: 0121 506 7701
Email: uksales@combat.co.uk
Export: export@combat.co.uk
Web: www.combat.co.uk

Important Notice

The equipment described in this data sheet is suitable for most commercial and industrial heating applications. However, in certain environments, particularly where there is a chlorinated atmosphere (e.g. near a degreasing plant or other solvent processes), or a particularly dusty atmosphere, specialist advice should be sought at the design stage.

Please consult your local Combat HVAC Sales Manager.

Combat HVAC Limited reserves the right to alter product specification details without notice.

Installation Code and Annual Inspections:

All installations and servicing of Combat HVAC equipment must be performed by a contractor qualified in the installation and service of equipment sold and supplied by Combat HVAC Limited and conform to all requirements outlined in the Combat manuals and all applicable governmental authorities about the installation, service and operation of the equipment. To help facilitate optimum performance and safety, Combat HVAC Limited recommends that a qualified contractor annually inspect your Combat equipment and perform service where necessary, using only replacement parts supplied by Combat HVAC Limited.

Further Information:

Applications, engineering and detailed guidance on systems design, installation and equipment performance is available through Combat HVAC representatives. Please contact us for any further information you may require, including the installation, operation and service manual.

This product is not for residential use.

This document is intended to assist licensed professionals in the exercise of their professional judgement.